

# Sport-Thieme® Fully Welded Mini Leisure Goal

**Thank you very much for choosing a Sport-Thieme product!**

Please read the instructions fully before you assemble the equipment, so you can enjoy the product and safety is guaranteed. We are happy to answer any questions you may have.



# Assembly instructions

for Art.-Nr. 115 2308/115 2337/115 2340

This goal is completely welded so that it need not to be assembled. However, it has always to be protected against overturning according to DIN EN 15312 (see the information in chapter „ground fixing“).

## 1. Scope of delivery

Please check the following content before assembly.

Piece	Description
1	Completely welded goal
2	Threaded bar M10 for ground fixing
2	Washer, diameter 30 mm
2	Self-locking nut DIN 985, M10
1	Assembly instruction

## 2. Ground fixing

a) Ground bars and ground tube are equipped with 2 plates which serve to fix the special anchoring system for the goal. Different systems are available. The anchoring system is not part of the delivery.

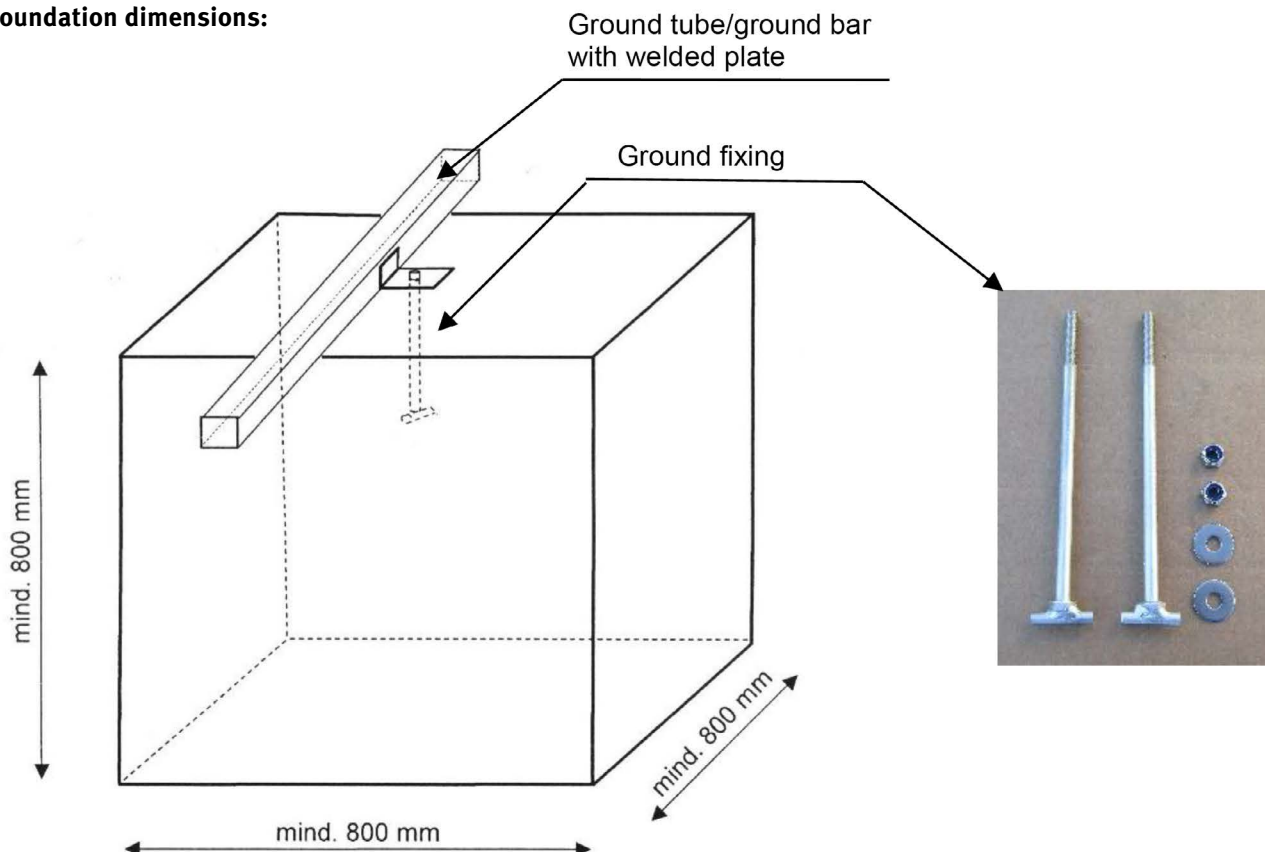
**The use of the goal without corresponding anchoring system is at your own risk.**

The dimensions of the necessary foundations result from the distance of the plates, see the following drawings..

Do not use an accelerating admixture or antifreeze during setting in concrete as these may cause damages of the anchoring systems.

Concrete threaded bars M10 with thread protruding from the concrete. Place holes of the plates upon threaded bars, add washers 30 mm, screw and tighten nuts M10, DIN 985.

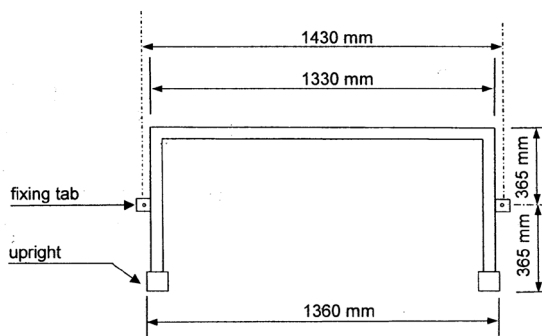
### Foundation dimensions:



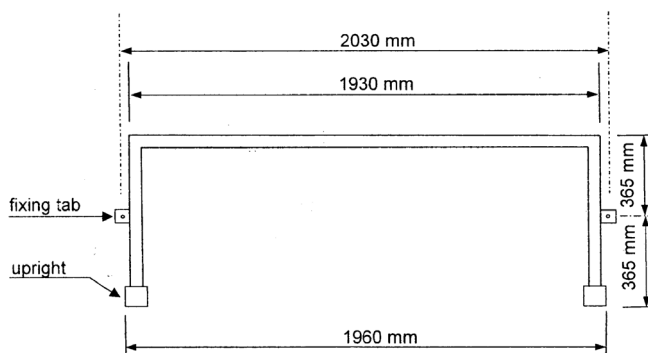
# Assembly instructions

for Art.-Nr. 115 2308/115 2337/115 2340

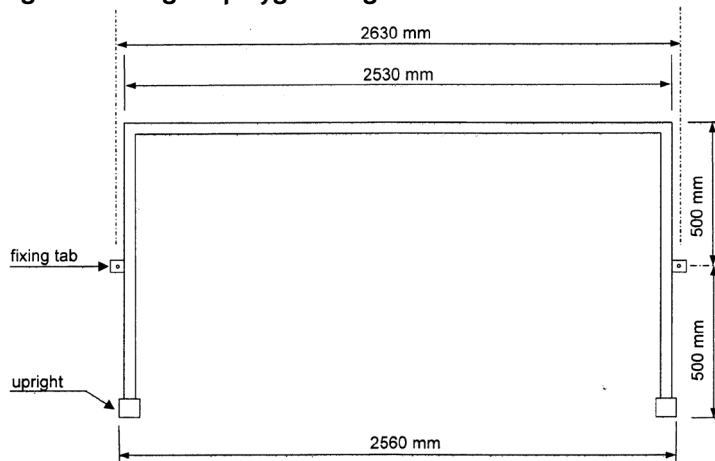
## b) Top view of ground fixing for playground goal 1.20 x 0.80m: Art.-Nr. 115 2308



## c) Top view of ground fixing for playground goal 1.80 x 1.20m: Art.-Nr. 115 2337



## d) Top view of ground fixing for playground goal 2.40 x 1.60m: Art.-Nr. 115 2340



### 3. Maintenance, safety and storage instructions



Check screwed fastenings and possible damages regularly.

Notice: Due to our continuous quality check of products and equipment technical modifications are possible.

**This goal is constructed only for soccer matches and not for other purposes. Check all screwed fastenings before use and repeat it from time to time. It has to be protected against overturning at any time.**

**It is not allowed to fix additional parts or extensions at the goal frame which may impair the safety of the goal (according to DIN EN 15312).**

To avoid damage and misuse goals have to be stored secured and in an upright position when not in use.

Only use water for cleaning the surfaces. Do not use alcohol or any aggressive chemicals!