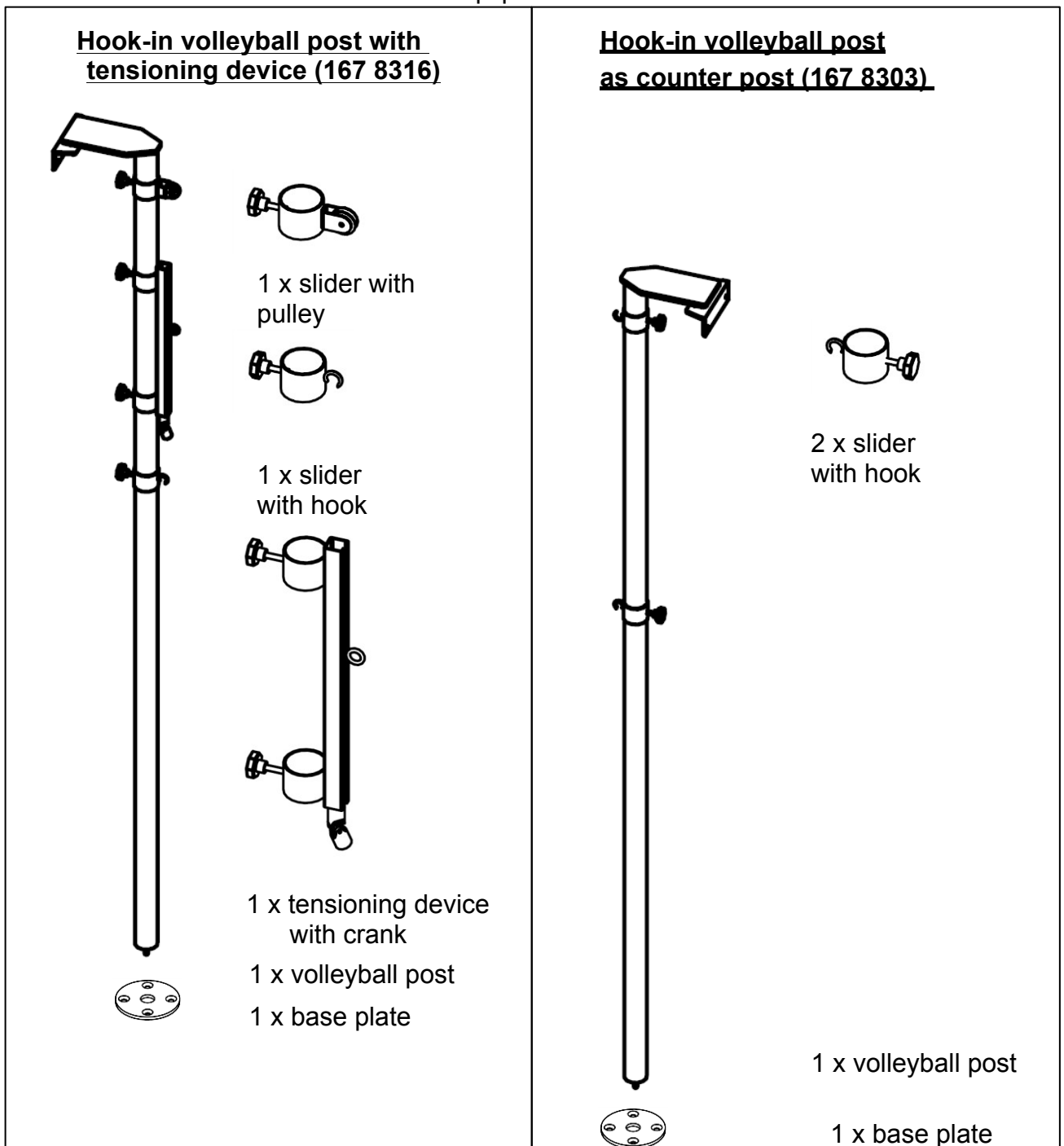
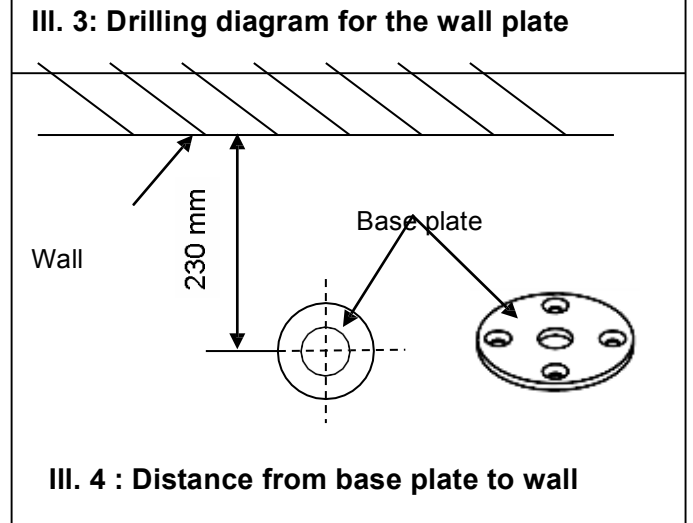
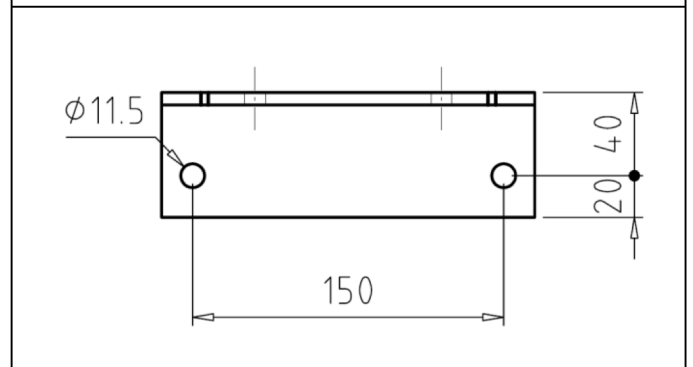
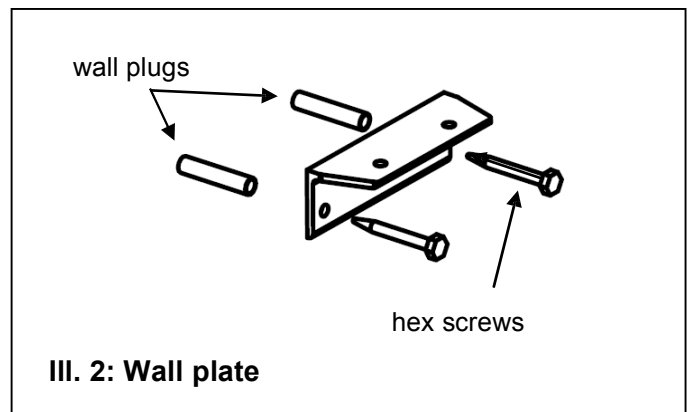
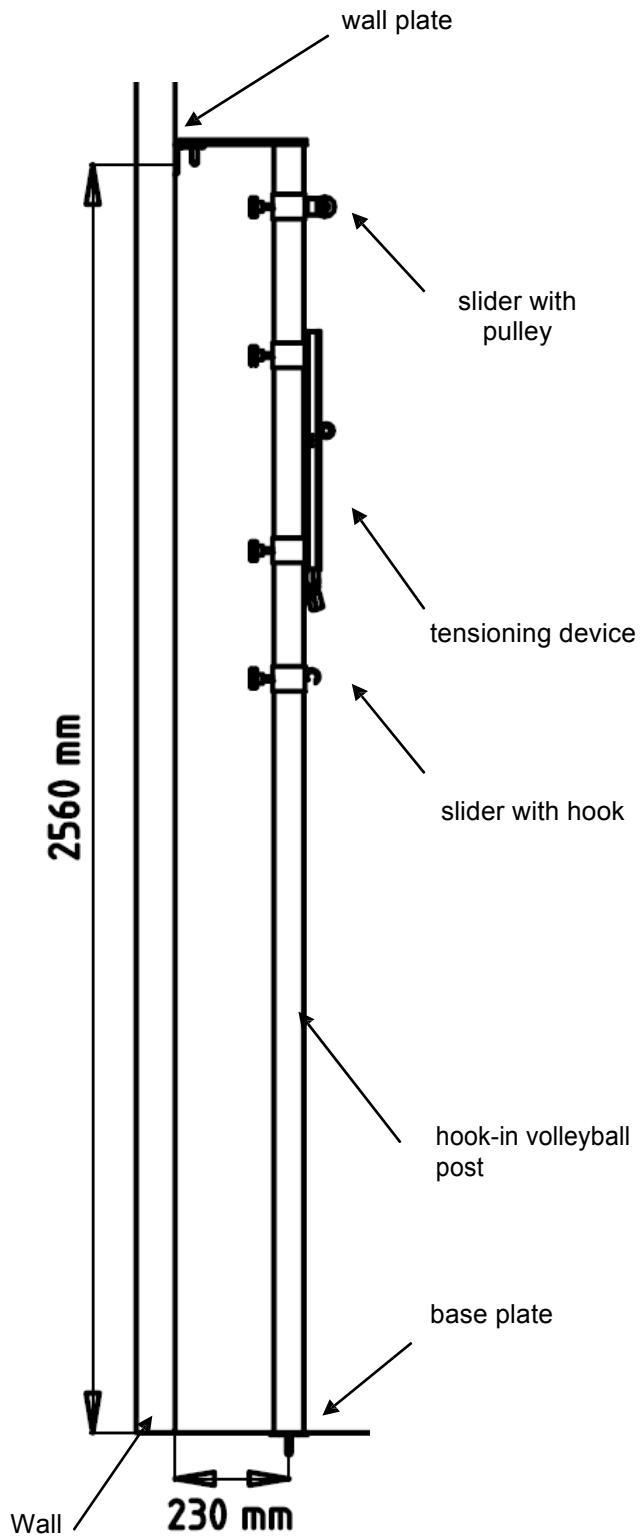


**Operating/assembly instructions**  
**for hook-in volleyball posts**

Thank you very much for choosing a **Sport-Thieme** product.  
 We want to make sure that you can enjoy this product, so here is some important  
 advice for your safety as well as for the use and maintenance of the equipment.  
 Please read these instructions fully before you assemble and  
 use the equipment:





## **Assembly instructions**

Following the dimensions shown in ill. 1 and 3, drill 2 holes into a stable wall and insert the nylon wall plugs 14 into the drill holes. If you are not sure about the wall's quality, please consult an expert.

Fix the wall plate to the wall using the hex screws 10.

After you have mounted the wall plate, mount the base plate vertically underneath flush into the playing surface. The distance to the edge of the wall must be 230 mm (ill. 4).

The base plate is fixed to the floor using 4 countersunk screws 5 x 30.

Attach the required sliders and the tensioning device to the volleyball post using the locking screw.

You can now hang the posts from above into the mounted brackets.

On one side, the net is attached to the slider's hook of the counter post and then prepared for playing by using the pulley and the tensioning device on the other side.

After playing, you can remove the net and unhook the posts. You will therefore not interfere with the normal operation of the sports hall.

You can store the posts in the equipment room until you use them again.

**Caution: Do not overload or climb the equipment!**



## **Maintenance and care instructions**

### **Instructions:**

Carry out a visual check at regular intervals. Due to our continuous quality control of the products, technical changes may occur which may lead to slight deviations in the instructions.

Check at regular intervals that the screw connections are tight. Check the equipment for possible damage and replace worn-out parts. Ensure that moveable parts are free-moving.

We are happy to answer any questions you may have.

Your **Sport-Thieme** Team