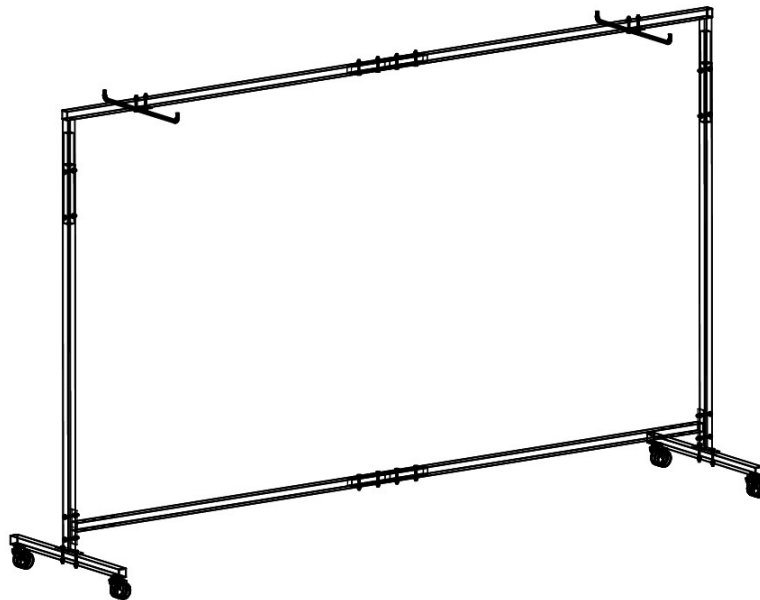


Operating/assembly instructions Sport-Thieme transport trolley for handball goals

Thank you very much for choosing a **Sport-Thieme** product. We want to make sure that you can enjoy this product, so here is some important advice for your safety as well as for the use and maintenance of the equipment.

Please read these instructions carefully before you assemble and use the equipment:



III.1: Sport-Thieme transport trolley for handball goals

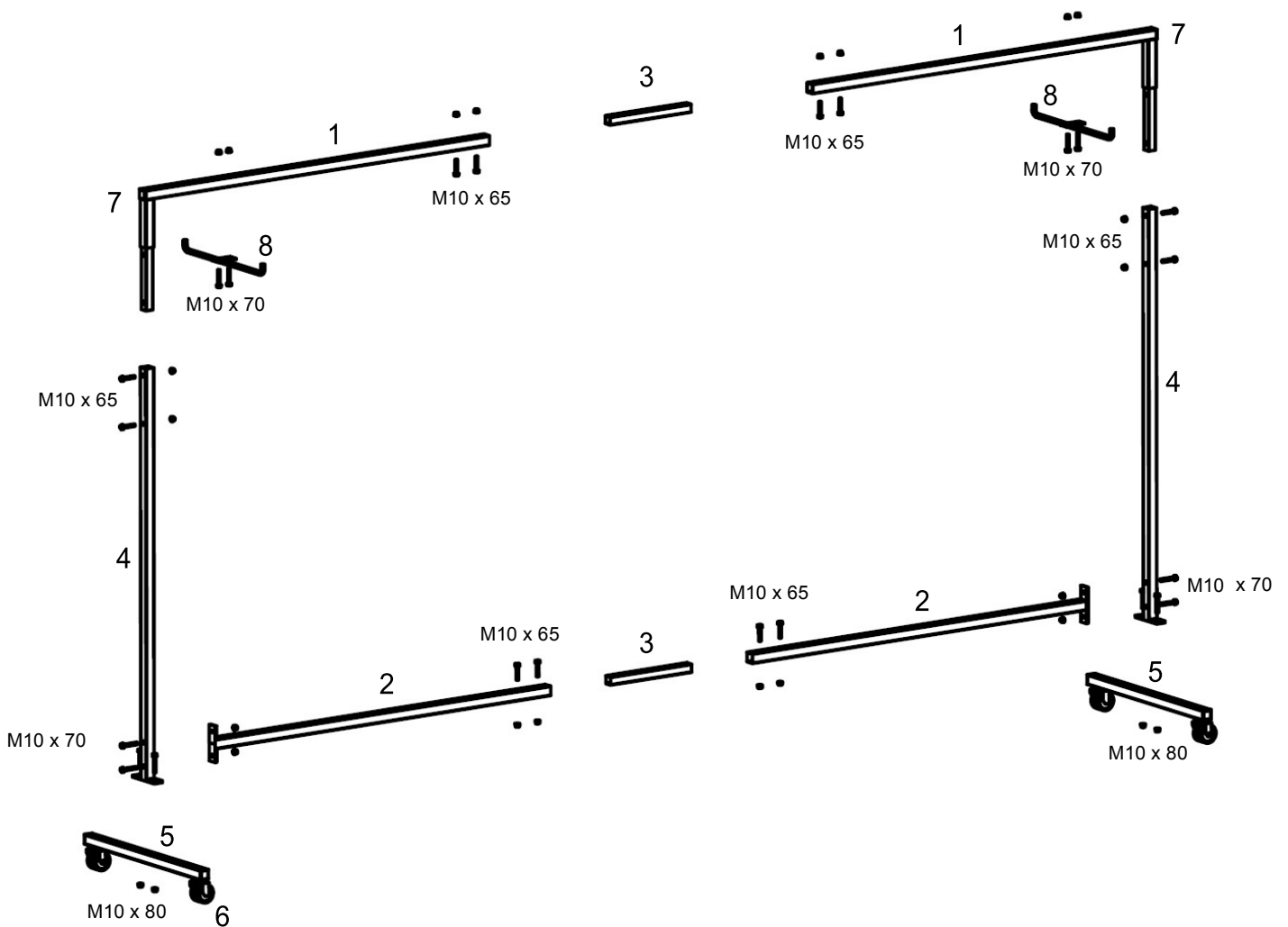
Included:

<u>Pos.</u>	<u>Description</u>
1	2 x top cross section
2	2 x bottom cross section
3	2 x middle connection piece
4	2 x posts
5	2 x rolling gear
6	4 x double swivel castor with ball bearings
7	6 x plug
8	2 x bracket
9	Set of screws: 28 x locking nut M10 DIN 985 52 x washer A 10.5 DIN 125 12 x hex bolt M10 x 65 DIN 931-1 12 x hex bolt M10 x 70 DIN 931-1 4 x hex bolt M10 x 80 DIN 931-1

1. General

Small pitch goals can be comfortably, safely and easily transported and stored with the Sport-Thieme transport trolley for handball goals. The goals can be quickly hung to the brackets and comfortably taken to the equipment room.

2. Assembly instructions



III. 2: assembly instructions

Caution: Do not overload or climb the equipment!



Maintenance and care instructions

Instructions: Carry out a visual check at regular intervals. Due to our continuous quality control of the products, technical changes may occur which may lead to slight deviations in the instructions.
Check at regular intervals that the screw connections are tight.
Check the equipment for possible damage and replace worn-out parts. Ensure that moveable parts are free-moving.

We are happy to answer any questions you may have.

Your **Sport-Thieme** Team